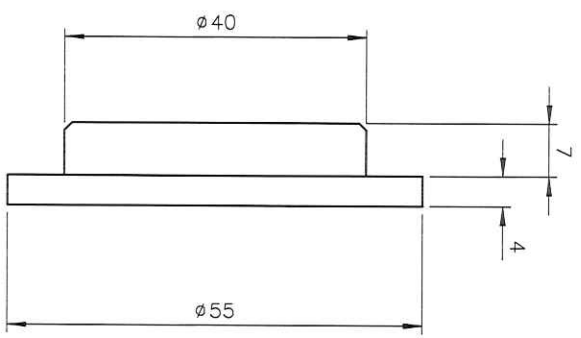
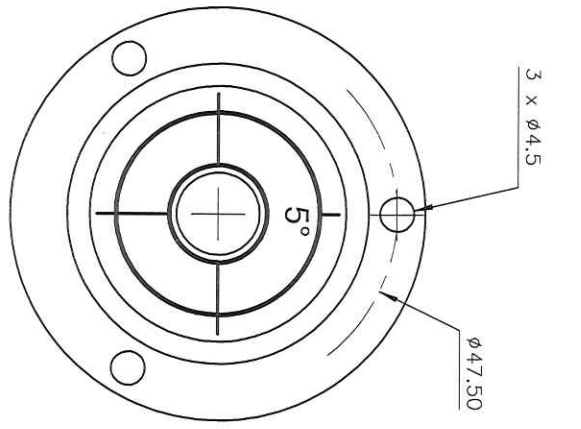


Note :  
Bubble —  $\phi 12\text{mm}$  @  $20^{\circ}\text{C}$   
Marking lines :  
Centre ring —  $\phi 13$   
5° marking ring —  $\phi 27$



Finish	Tolerances Unless Stated Otherwise (mm Units)	XX, XXX, XX.XX	+/- 1.0 +/- 0.25 +/- 0.1	Material Polycarbonate	Drawn By JHL	Date 21/03/2001	Cr
--------	---	----------------	--------------------------------	---------------------------	-----------------	--------------------	----

**TEL: (02) 6765 8333 (Australia)**  
**+61 2 6765 8333 (International)**  
**WWW.INCLINOMETERS.COM.AU**